

ARIA LINEAR LIGHT
INSTALLATION MANUAL

stem.

**CAUTION****BEFORE INSTALLATION**

Please read the provided step by step instructions thoroughly before proceeding with the installation. By taking these precautions and diligently following the provided guidelines, you will achieve a secure and successful installation.

1. Always remember to turn off the power supply to the circuit before commencing any installation work. Electrical installation tasks should exclusively be undertaken by an authorized electrical contractor. For professional guidance, please contact your local electricity authority.
2. Before installation, check the installation area for the presence of any other cables to prevent damage to concealed wiring.
3. When positioning the light fixture, ensure that the chosen area can adequately support the weight of light upto 3kg (6.6 lbs, aluminium)/ 7kg (15.4 lbs, brass).
4. Please note that this fixture is designed for use in dry domestic indoor environments only.
5. When handling the metal fixture, make sure your hands are clean. It is advised to wear gloves to prevent leaving marks on the metal surface.
6. Periodically check screws and connections for stability. Gently tighten if necessary, avoid over-tightening.

CARE INSTRUCTIONS

Ensure your hands are clean before touching the metal surface to avoid leaving any fingerprint marks. It is advised to use gloves when handling the lighting fixture. Do not use any abrasive substances on the product. Please be wary of its weight. Handle with care.

Over time, the metal surface may diminish its original luster. To retain the original aluminium or brass finish, use metal polish with a soft, dry cloth and gently rub it onto the surface.

TECHNICAL DETAILS

Dimensions
 Dia.26 W1500 MM
 Dia.1 W60 IN
 (Custom length on request)

Light source
 IND/ UK/ EU
 LED strip (Incl.)
 12W, 220-240V

Hardware
 W56 H32 D140 MM
 W2.2 H1.3 D5.5 IN
 Aluminium/Brass finish

Weight & Material
 2.5 kg - Aluminium
 6 kg - Brass

Classification
 IP20

Cord
 Hardwire
 Cord length - 2000 MM

Kelvin Rating
 3000K

Dimmable
 Phase cut
 Triac compatible

INSIDE THE BOX



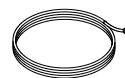
Wall plug X 4



Dry wall screw X 4



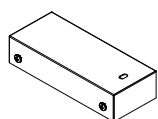
Clutch wire gripper X 2



Clutch wire X 2

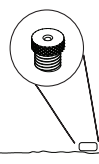


Gloves pair X 1

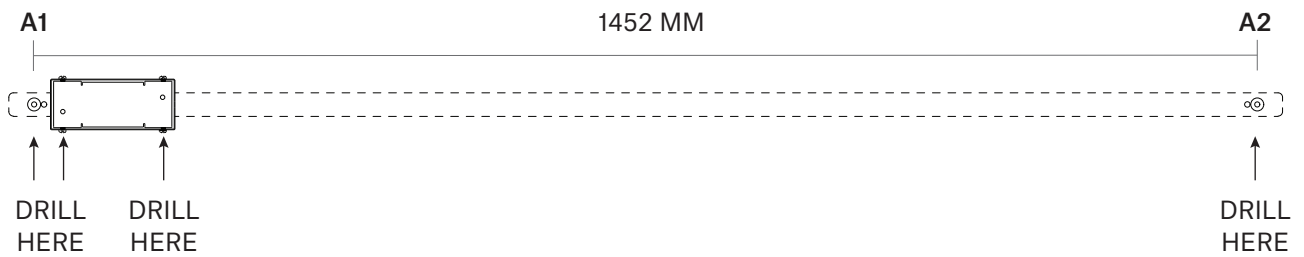


Canopy casing with driver X 1

Clutch wire screw



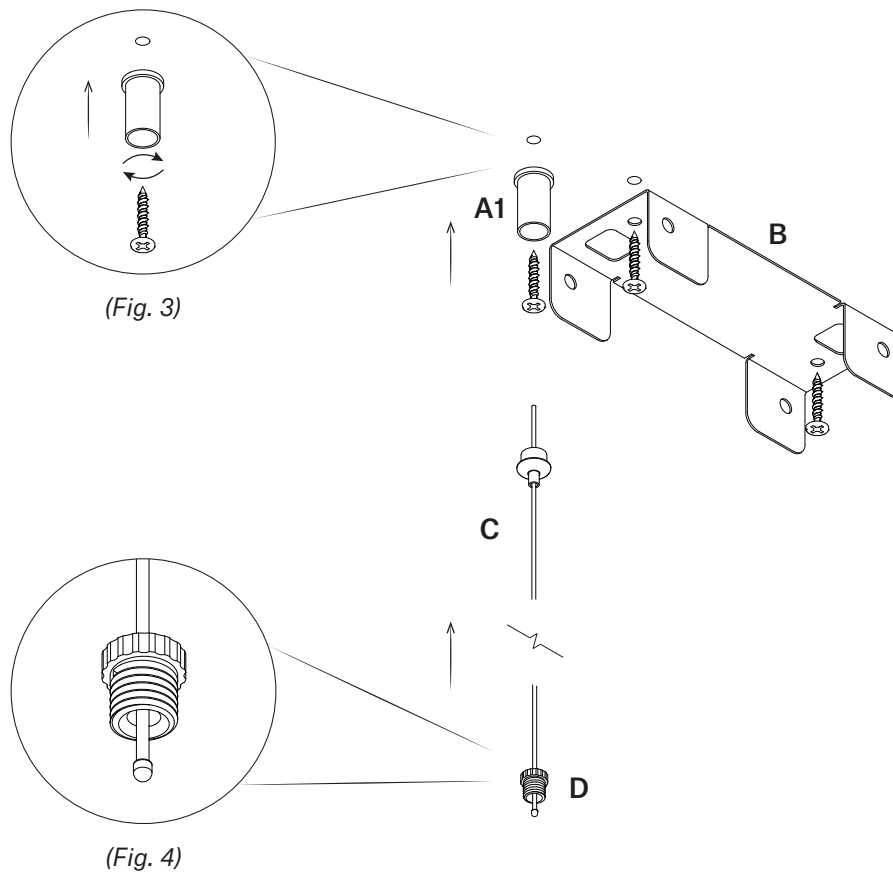
Rod with LED light X 1 with Clutch wire screws on both ends



(Fig. 1)

STEP 1 Position and drill

Carefully mark the position where you intend for the light fixture to hang. Use the dimensions marked (Fig. 1) as a guide to drill holes in the ceiling, then proceed to the next step.

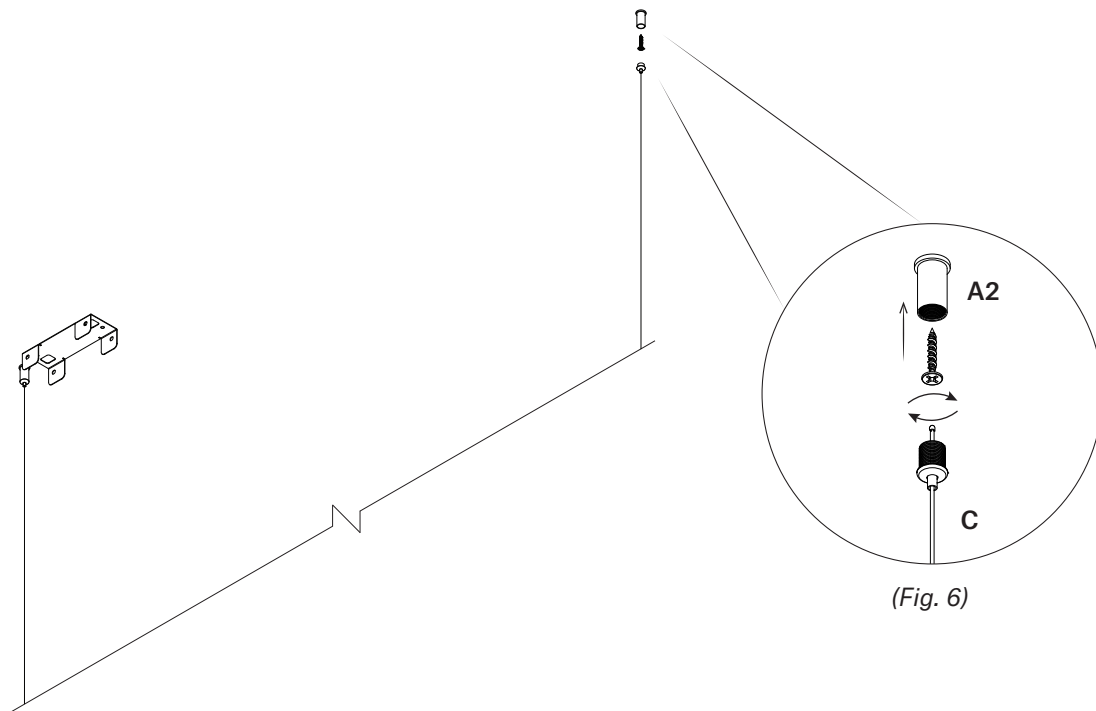


(Fig. 2)

STEP 2 Install the Clutch wire gripper and Canopy back plate

1. Connect the clutch wire gripper (A1) and canopy back plate (B) by fastening them at the drilled holes in the ceiling using the drywall screws (Fig. 3).
2. Insert the clutch wire (C) through the clutch wire screw (D)(Fig. 4) fitted on the ends of the cast Rod.
3. Secure the opposite end to the clutch wire gripper (A1)(Fig. 3).

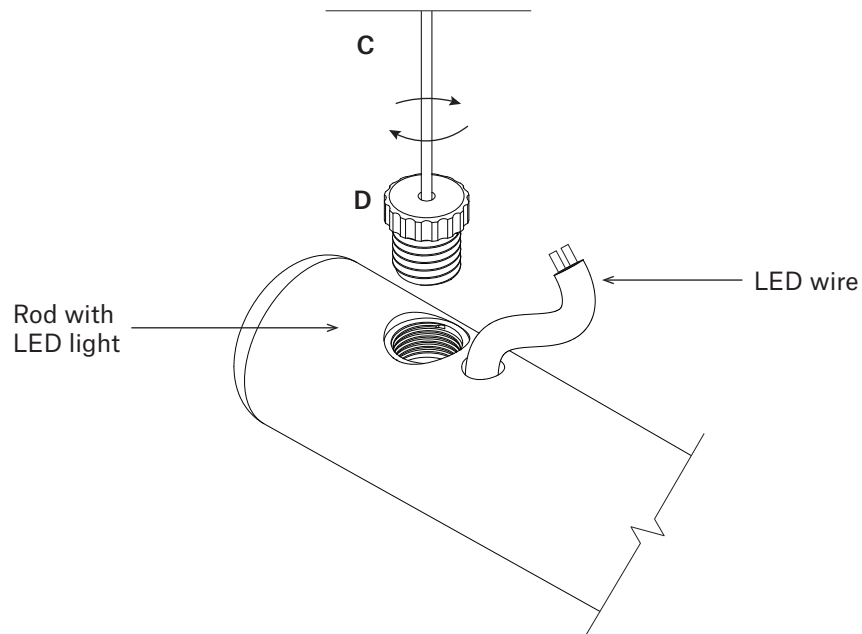
ⓘ To ensure the safe suspension of the light fixture, check that the wires are firmly attached to the clutch wire grippers and are devoid of any slack.



(Fig. 5)

STEP 3
Install the second Clutch wire gripper

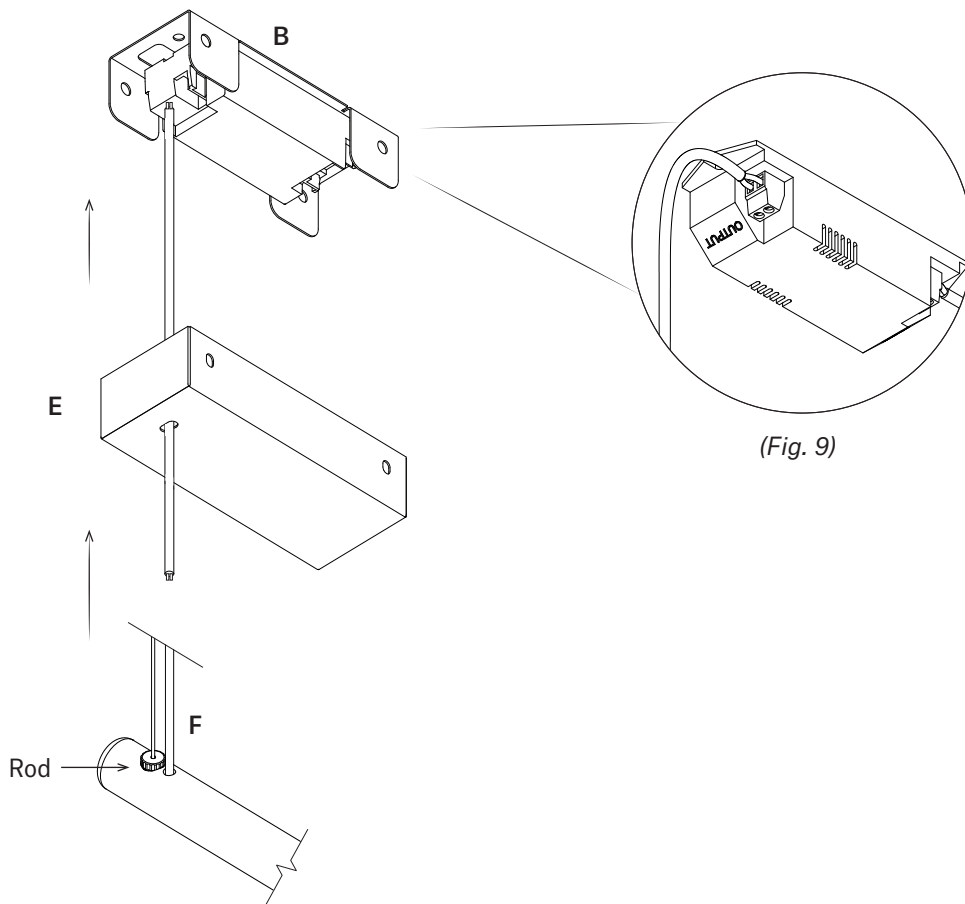
Take the second clutch wire gripper (A2) and fasten it directly onto the ceiling (Fig. 6) using the drywall screw. Now insert the clutch wire (C) through the clutch wire screw (D) (Fig. 4) and securely attach it to the clutch wire gripper (A2) (Fig. 6).



(Fig. 7)

STEP 4 Install and level Rod

Fasten the clutch wire screw (D) to both ends of Rod (Fig. 7) and adjust its height as desired. Ensure that the light fixture is in alignment with the floor.

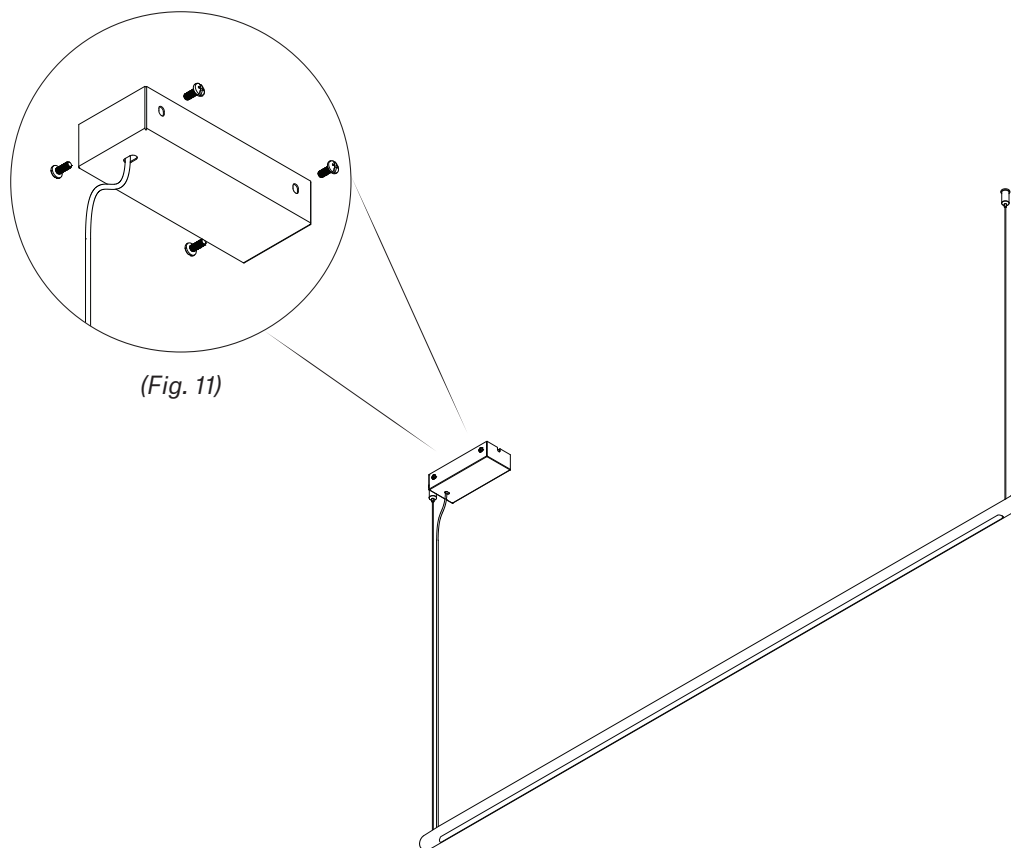


(Fig. 8)

STEP 5
Connect wiring to the driver

1. Insert the LED cord end (F) on Rod through the hole in the canopy casing (E) and connect it to the driver output mounted on the ceiling (Fig. 8).
2. Connect the driver input to the electrical connection in the ceiling (Fig. 9).

⚠ *Ensure that all connections are secure and that there are no exposed wires or electrical hazards.*



(Fig. 10)

STEP 6 Close the Canopy casing

After completing the installation, take the top cover of the canopy and attach it to the back plate (Fig. 10) using the canopy screws (Fig. 11). Ensure that the wiring and any excess clutch wire strands are neatly trimmed after the installation.

In case you require further
assistance, please write to us at
info@stemdesign.co.

stem.